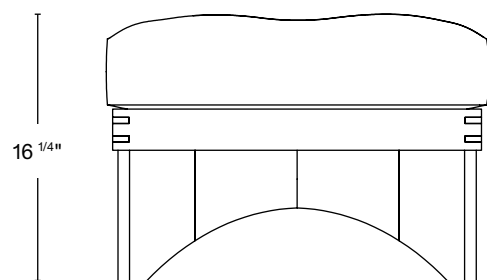
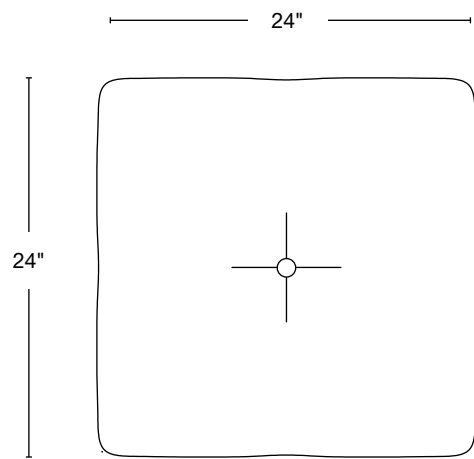


PRODUCT DESCRIPTION

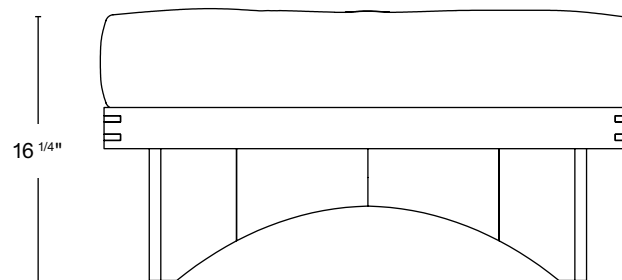
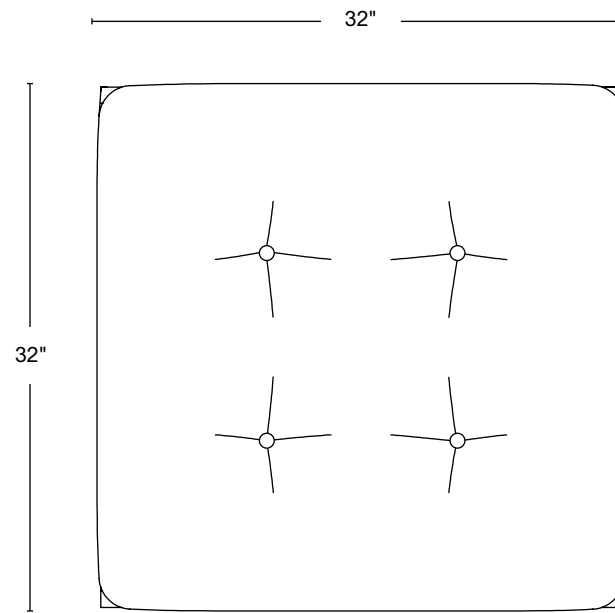
The Rita Ottoman is built on a solid wood frame, topped with hand stitched cushion. Fabric is COM.

DESIGNER	Paul Mignogna	
PRODUCTION	Produced on a made to order basis at Stillmade's Brooklyn based workshop	
LEAD TIME	16-18 weeks Subject to change based on workflow	
MATERIALS	Solid domestic timber Fabric (COM) upholstery	
FINISHES	WOOD	FABRIC
	Natural walnut	COM
	Oxidized walnut	
	Natural white oak	
	Oxidized white oak	
	Bleached ash	
DIMENSIONS	24"W x 24"L x 16"H	
	36"W x 36"L x 16"H	





DIMENSION	24"W x 24"L x 16"H
FRAME HEIGHT	10 1/4"
CUSHION HEIGHT	5 1/2"
TOTAL HEIGHT	16"
FABRIC YARDAGE	2



DIMENSION	36"W x 36"L x 16"H
FRAME HEIGHT	10 1/2"
CUSHION HEIGHT	5 1/2"
TOTAL HEIGHT	16"
FABRIC YARDAGE	3