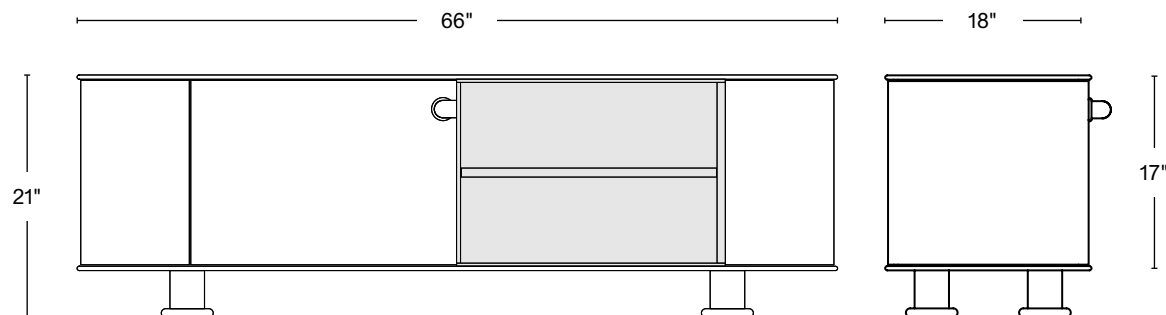


PRODUCT DESCRIPTION

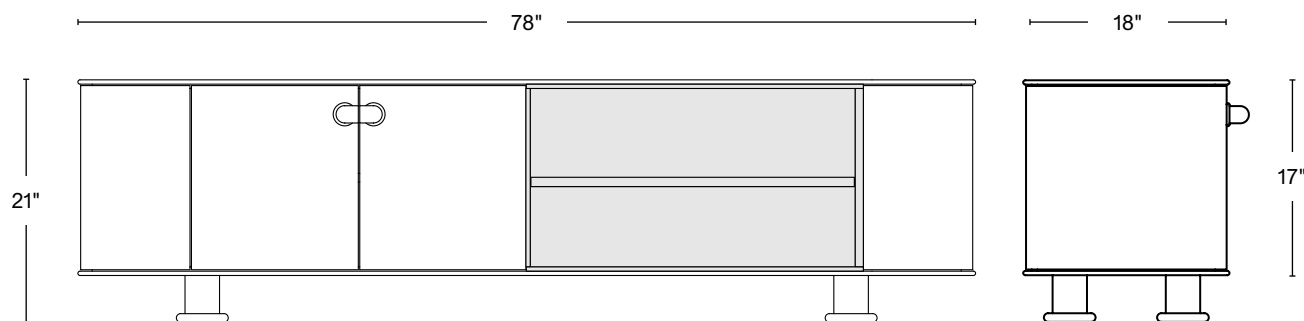
Sam Stewart first designed the Music Box with an integrated turntable and record storage. Stillmade has reinterpreted the piece with narrower dimensions, an oiled wood interior, and four new colorways. The partnership is a seamless marriage of Stewart's original design with Stillmade's craft-focused engineering and production.

| | | |
|---------------|---|-------|
| DESIGNER | Sam Stewart | |
| PRODUCTION | Produced on a made to order basis at Stillmade's Brooklyn based workshop | |
| CUSTOMIZATION | Limited customization | |
| LEAD TIME | 16-18 weeks Subject to change based on workflow | |
| MATERIALS | Solid domestic timber Hand cut veneer Matte lacquer Poured resin | |
| FINISHES | CABINET | PULL |
| | Maroon | White |
| | Green | Green |
| | Yellow | Brown |
| | Gray | |
| DIMENSIONS | 66"W x 18"D x 21"H | |
| | 78"W x 18"D x 21"H | |
| | 90"W x 18"D x 21"H | |

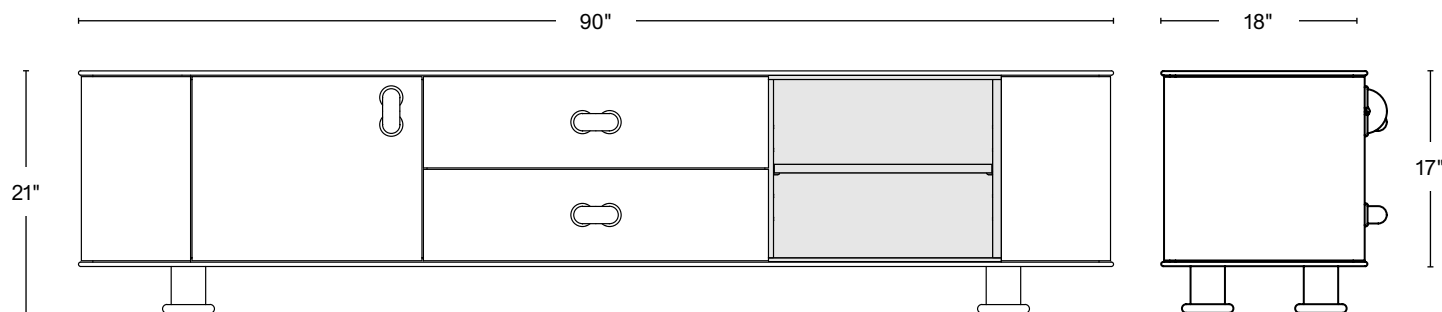




DIMENSIONS 66"W x 18"D x 21"H
 SHELF DEPTH 16"
 # OF ADJUSTABLE SHELVES 2



DIMENSIONS 78"W x 18"D x 21"H
 SHELF DEPTH 16"
 # OF ADJUSTABLE SHELVES 2



DIMENSIONS 90"W x 18"D x 21"H
 SHELF DEPTH 16"
 # OF DRAWERS 2
 # OF ADJUSTABLE SHELVES 2