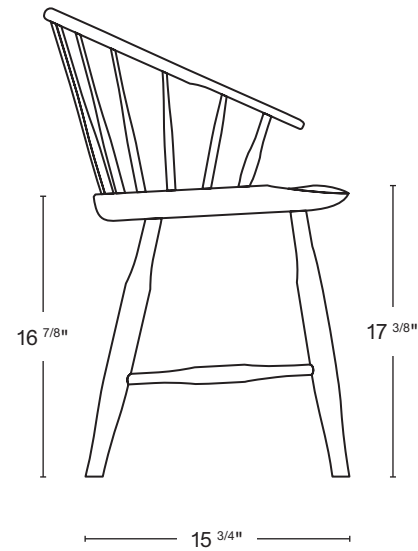
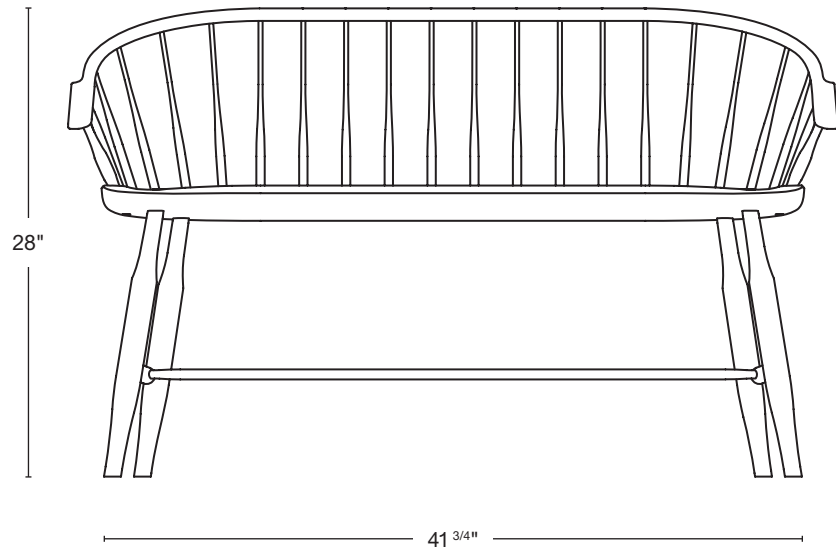


PRODUCT DESCRIPTION

The traditional tools and techniques used to produce each piece provide a creative framework for Sawyer Made to explore and evolve the rich history of green woodworking. The Low Back Waiting Setee evokes this history, but in a contemporary setting.

DESIGNER	George Sawyer
PRODUCTION	Produced to order by Sawyer Made in South Woodbury, Vermont
CUSTOMIZATION	Limited customization
LEAD TIME	20-24 weeks Subject to change based on workflow
MATERIALS	Solid timber sourced from our Northern Vermont forest
FINISHES	Ash Oak Marigold Lexington green Slate Black over red Black





DIMENSIONS	46"W x 18 ¹ / ₄ "D x 28"H
SEAT WIDTH	39 ¹ / ₄ "
SEAT DEPTH	13 ³ / ₄ "
SEAT HEIGHT	17 ³ / ₈ "