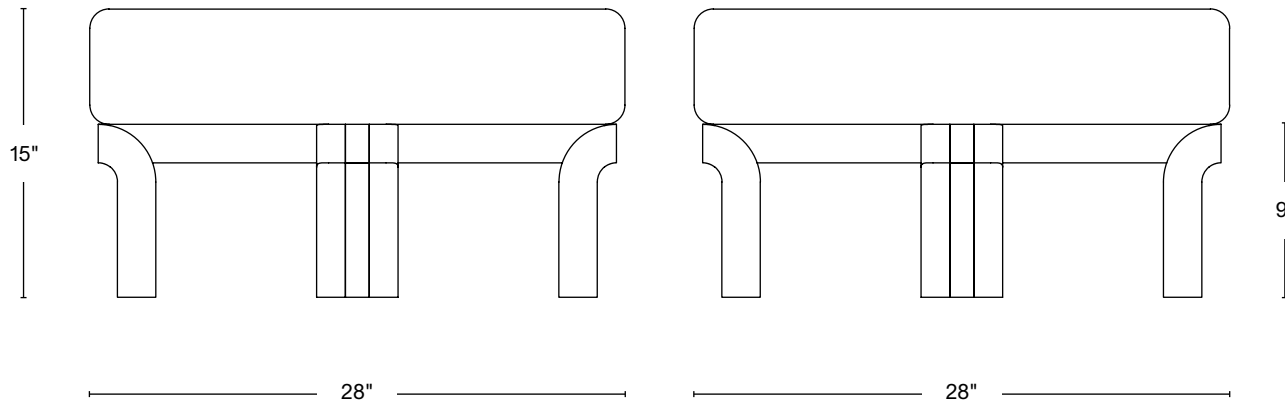


PRODUCT DESCRIPTION

A companion to the Kana Lounge, the ottoman creates the same elegant tension between upholstery and wood. Substantial enough to stand on it's own or as a perfect compliment to the lounge.

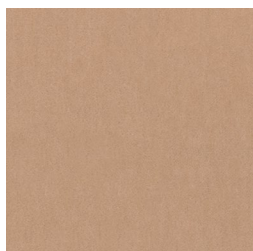
DESIGNER	Vonnegut/Kraft	
PRODUCTION	Made to order in Vonnegut/Kraft's Chatham, NY workshop	
CUSTOMIZATION	Limited customization	
LEAD TIME	17-19 weeks Subject to change based on workflow	
MATERIALS	Solid domestic timber Fabric upholstery	
FINISHES	WOOD	FABRIC
	Natural walnut	Mohair
	Natural white oak	COM
	Bleached ash	
	Ebonized ash	
DIMENSION	28"W x 28"D x 15"H	



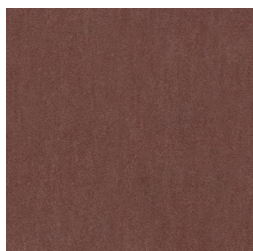


DIMENSIONS	28"W x 28"D x 15"H
FRAME HEIGHT	9"
CUSHION HEIGHT	6"
FABRIC YARDAGE	2

MOHAIR SUPREME



Doll



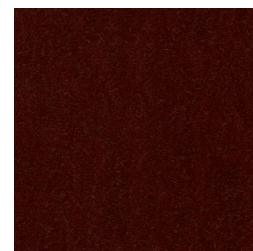
Brandy



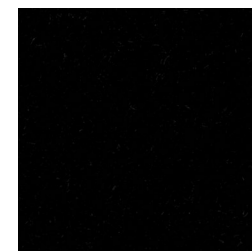
Intrigue



Grassland



Brandy



Rich chocolate

CHARACTERISTICS

Content: 100% Mohair
 Finish: None
 Backing: Cotton
 Width: 54" (137cm)
 Bolt Size: 27 yards (25 m)
 Weight: 26 oz/ly (800 gr/lm)
 Country of Origin: Netherlands

TESTING

Abrasion: ASTM D4157, 70,000 double rubs Wyzenbeek
 Note: Abrasion test results exceeding ACT Performance Guidelines are not an indicator of product lifespan. Multiple factors affect fabric durability and appearance retention.

Flammability: AS/NZS 3837 Unadhered
 BS 5852 Crib 5
 BS 5867
 CAL 117-2013
 EN 1021-1
 EN 1021-2
 NFPA 260
 NFPA 701*

*passes with additional treatment

Lightfastness: AATCC 16.3, 40+ hours



MAINTENANCE

X-Vacuum or brush lightly to remove surface dust.



ENVIRONMENTAL

Cradle To Cradle Basic Certified
 Oeko-Tex Certified
 Healthier Hospitals Compliant
 LBC Red List Free
 REACH Compliant
 Contains Bio-Based Content
 FR Free
 Free of Intentionally Added PFAS