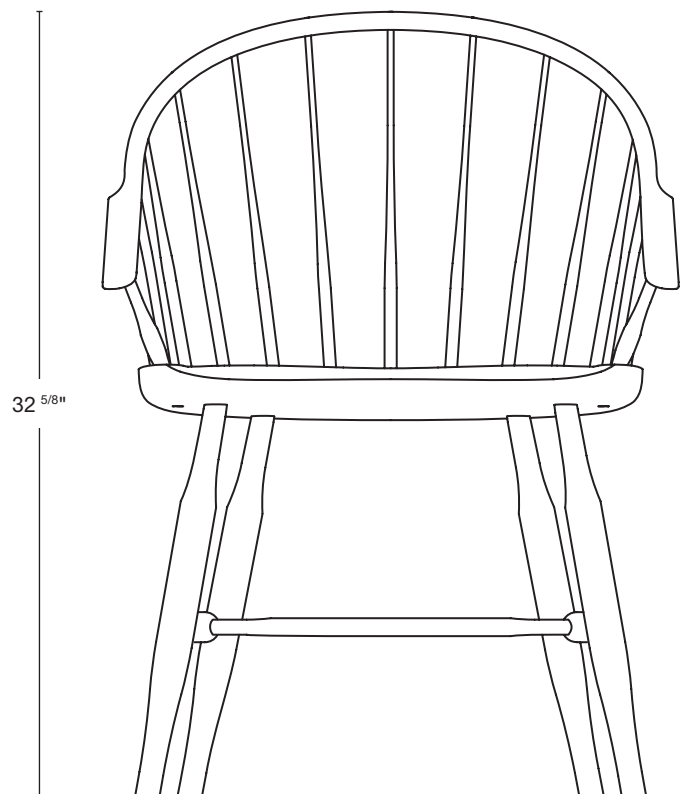


## PRODUCT DESCRIPTION

The traditional tools and techniques used to produce each piece provide a creative framework for Sawyer Made to explore and evolve the rich history of green woodworking. The Hunter Armchair evokes this history, but in a contemporary setting.

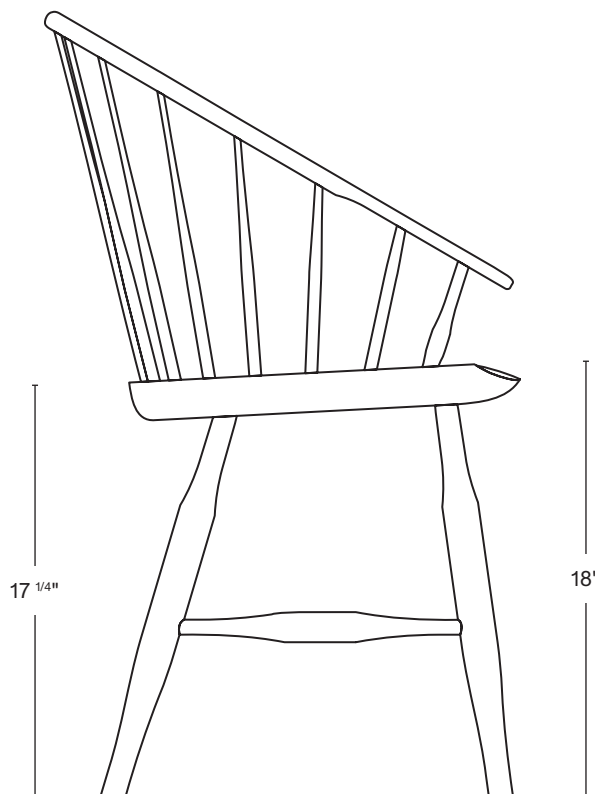
DESIGNER	George Sawyer
PRODUCTION	Produced to order by Sawyer Made in South Woodbury, Vermont
CUSTOMIZATION	Limited customization
LEAD TIME	20-24 weeks Subject to change based on workflow
MATERIALS	Solid timber sourced from our Northern Vermont forest
FINISHES	Ash Oak Marigold Lexington green Slate Black over red Black





32 5/8"

21 1/4"



17 1/4"

18"

17 1/8"

DIMENSIONS	24"W x 19 3/4"D x 32 5/8"H
SEAT WIDTH	21"
SEAT DEPTH	15"
SEAT HEIGHT	18"