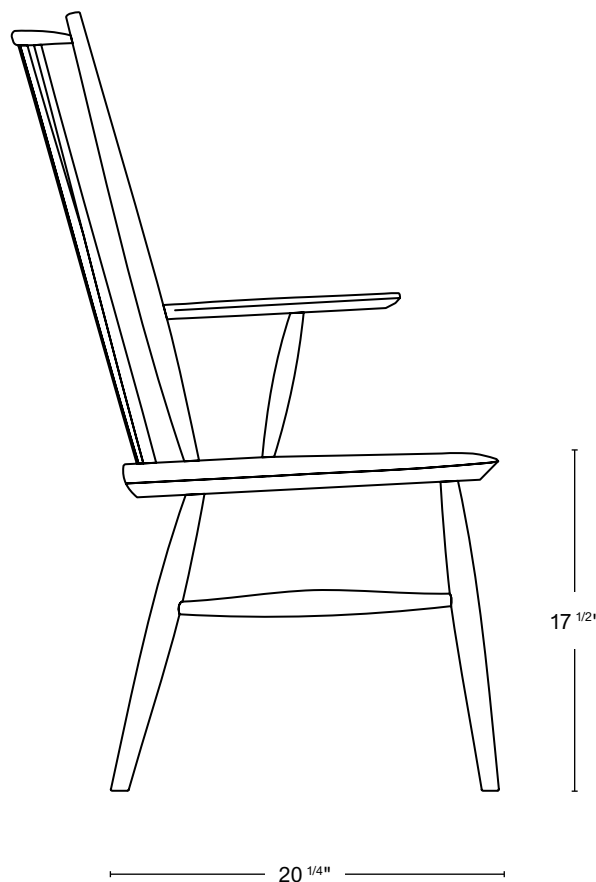
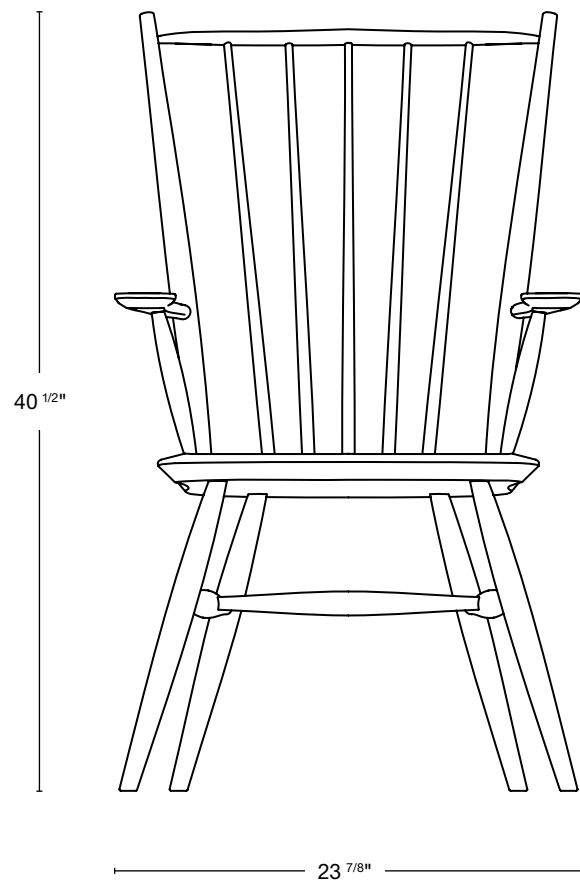


PRODUCT DESCRIPTION

Designed and built by Dawson Moore in his northern Michigan workshop, the Rod Back Chair is made from hand split logs using wedges and axes. Moore is dedicated to a traditional method of green wood chair making whereby the moisture differentials between each part creates mechanically locked permanent joints. Though traditional in construction, Moore adds a contemporary entrant into the rich American history of ladder back seating.

DESIGNER	Dawson Moore
PRODUCTION	Made to order in by Dawson Moore in northern Michigan
CUSTOMIZATION	Limited customization
LEAD TIME	17-19 weeks Subject to change based on workflow
MATERIALS	Solid domestic red oak Authentic Danish paper cord
FINISH	Natural ash Natural red oak Ebonizd red oak
DIMENSION	23 ⁷ / ₈ "W x 20 ¹ / ₄ "D x 40 ¹ / ₂ "H





DIMENSIONS	23 7/8"W x 20 1/4"D x 40 1/2"H
SEAT WIDTH	17 1/8"
SEAT DEPTH	17 5/8"
SEAT HEIGHT	17 1/2"