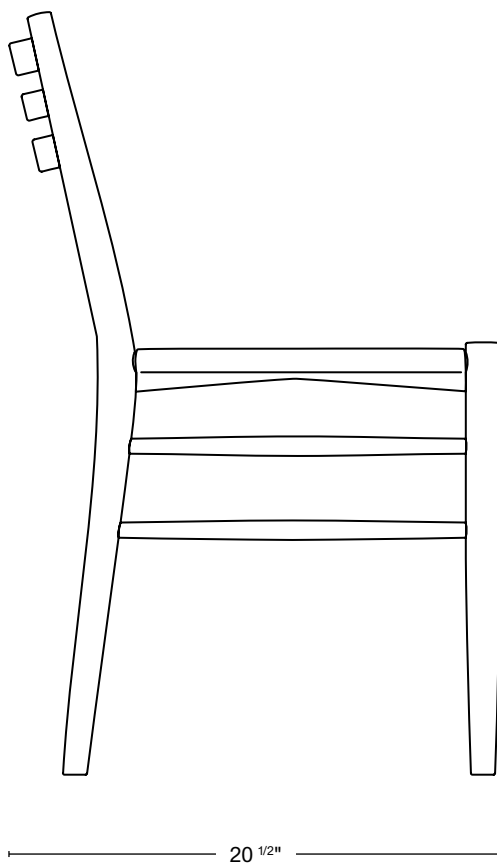
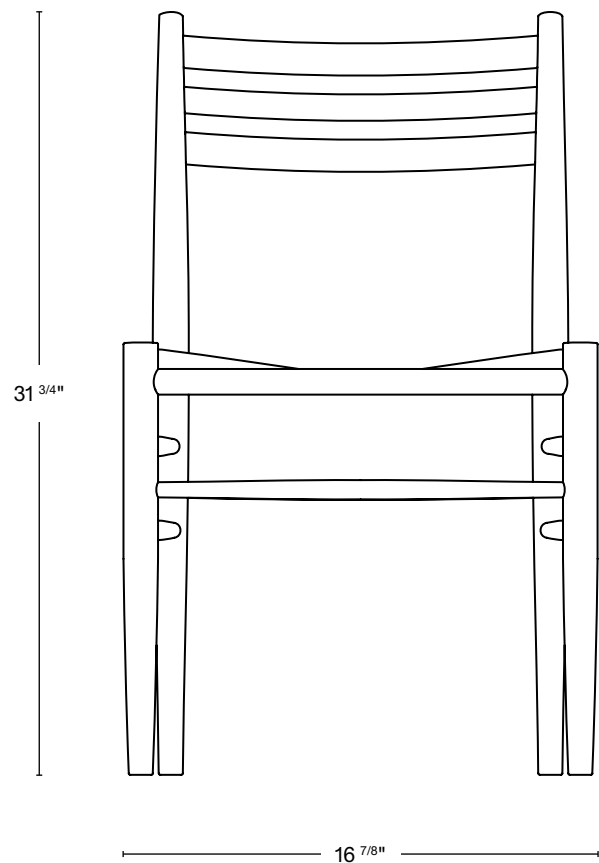


## PRODUCT DESCRIPTION

Designed and built by Dawson Moore in his northern Michigan workshop, the Ladder Back Chair is made from hand split logs using wedges and axes. Moore is dedicated to a traditional method of green wood chair making whereby the moisture differentials between each part creates mechanically locked permanent joints. Though traditional in construction, Moore adds a contemporary entrant into the rich American history of ladder back seating.

DESIGNER	Dawson Moore	
PRODUCTION	Made to order in by Dawson Moore in northern Michigan	
CUSTOMIZATION	Limited customization	
LEAD TIME	17-19 weeks Subject to change based on workflow	
MATERIALS	Solid domestic red oak Authentic Danish paper cord	
FINISHES	WOOD	SEAT
	Natural ash	Natural
	Natural red oak	Black
	Ebonizd red oak	
DIMENSION	16 <sup>7</sup> / <sub>8</sub> "W x 20 <sup>1</sup> / <sub>2</sub> "D x 31 <sup>3</sup> / <sub>4</sub> "H	





DIMENSIONS	16 <sup>7</sup> / <sub>8</sub> "W x 20 <sup>1</sup> / <sub>2</sub> "D x 31 <sup>3</sup> / <sub>4</sub> "H
SEAT WIDTH	19 <sup>3</sup> / <sub>4</sub> "
SEAT DEPTH	16 <sup>3</sup> / <sub>4</sub> "
SEAT HEIGHT	17 <sup>5</sup> / <sub>8</sub> "