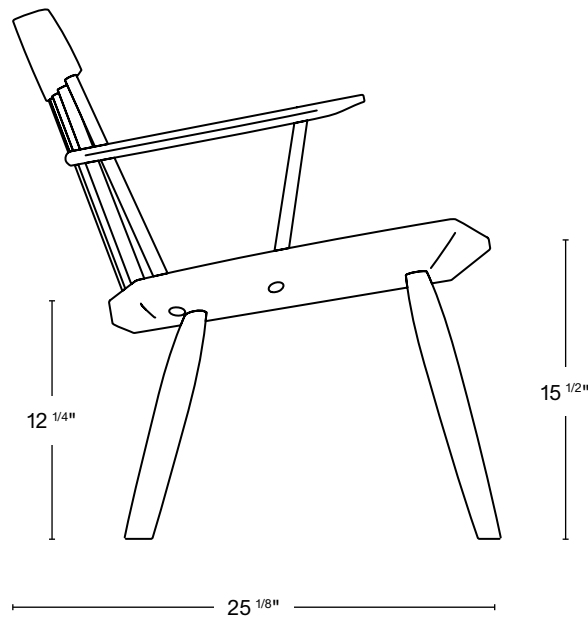
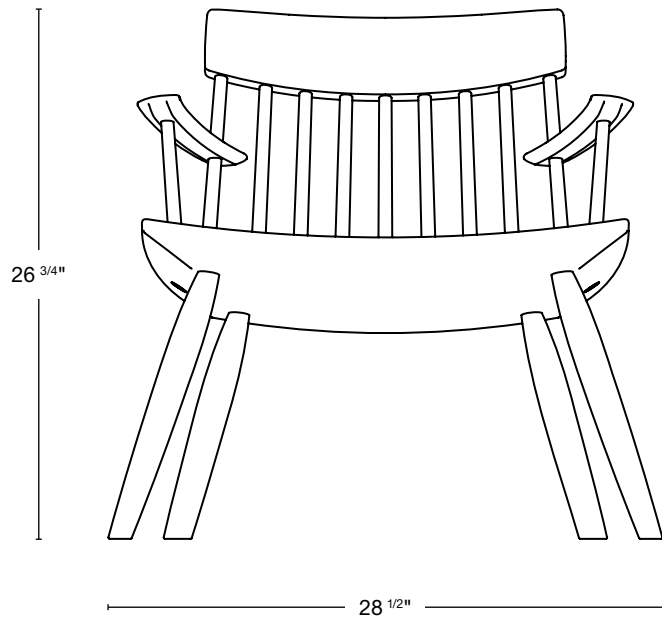


## PRODUCT DESCRIPTION

Designed and built by Dawson Moore in his northern Michigan workshop, the Comb Back Stick Chair is made from hand split logs using wedges and axes. Moore is dedicated to a traditional method of green wood chair making whereby the moisture differentials between each part creates mechanically locked permanent joints. Though traditional in construction, Moore adds a contemporary entrant into the rich American history of ladder back seating.

DESIGNER	Dawson Moore
PRODUCTION	Made to order in by Dawson Moore in northern Michigan
CUSTOMIZATION	Limited customization
LEAD TIME	16-18 weeks Subject to change based on workflow
MATERIALS	Solid domestic red oak Authentic Danish paper cord
FINISH	Natural ash Natural red oak Ebonized red oak
DIMENSION	28 1/2"W x 25 1/8"D x 26 3/4"H





DIMENSIONS	28 1/2"W x 25 1/8"D x 26 3/4"H
SEAT WIDTH	25"
SEAT DEPTH	19 3/4"
SEAT HEIGHT	15 1/2"