

PRODUCT DESCRIPTION

Though delicate in appearance, the base of the Swan Table is an intricate, rigid combination of structure and form. Each table is made from the highest quality of hand selected timber by artisan builders in our Brooklyn based woodshop.

DESIGNER Paul Mignogna

PRODUCTION By Stillmade in Brooklyn

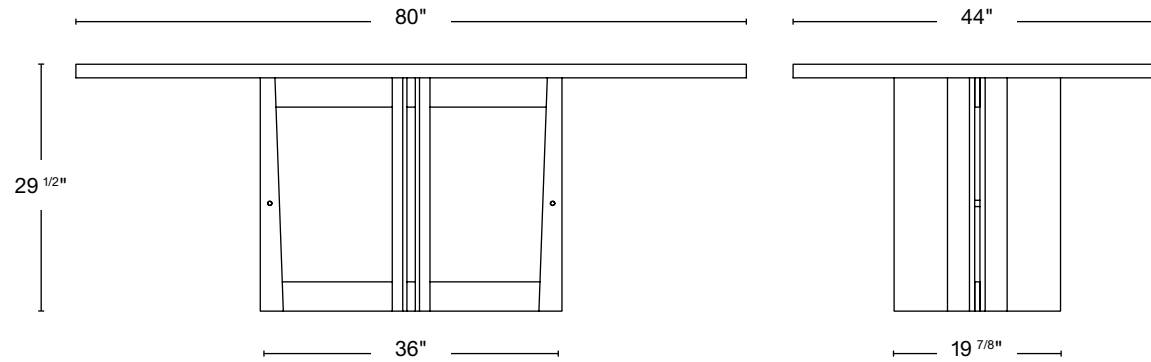
LEAD TIME 16-18 weeks
Subject to change based on workflow

MATERIALS Solid domestic timber
Stainless steel dowels, brackets and screws

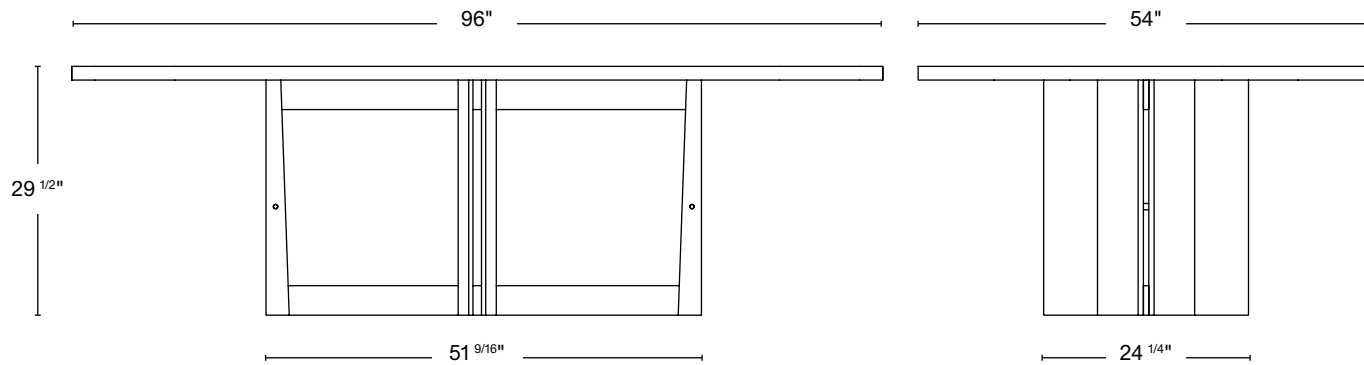
WOOD FINISH Natural walnut
Oxidized walnut
Natural white oak
Oxidized white oak
Bleached ash

DIMENSIONS 80"W x 40"L x 29 ¹/₂"H
96"W x 54"L x 29 ¹/₂"H





DIMENSION 80"W x 44"L x 29 1/2"H
 TOP THICKNESS 1 5/8"
 CHAIR CLEARANCE 28"
 SEATS 6-7



DIMENSION 96"W x 54"L x 29 1/2"H
 TOP THICKNESS 1 5/8"
 CHAIR CLEARANCE 28"
 SEATS 8-9