

PRODUCT DESCRIPTION

The Profile Credenza is an elevated take on traditional cabinet construction with a clean, minimal edge framing matching sliding doors. Interior outfitted with either adjustable shelving or drawers.

DESIGNER Paul Mignogna

PRODUCTION By Stillmade in Brooklyn

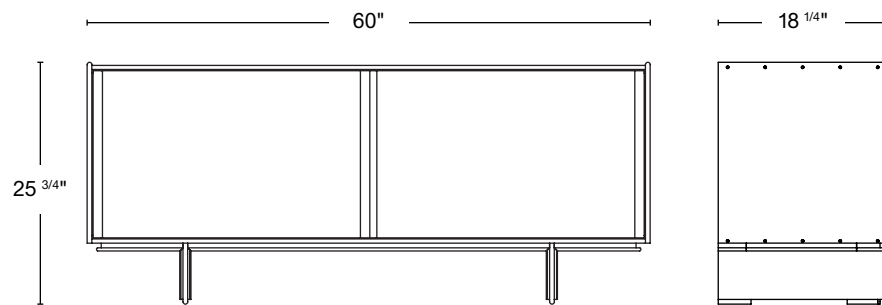
LEAD TIME 16-18 weeks
Subject to change based on workflow

MATERIALS Solid domestic timber
Stainless steel hardware

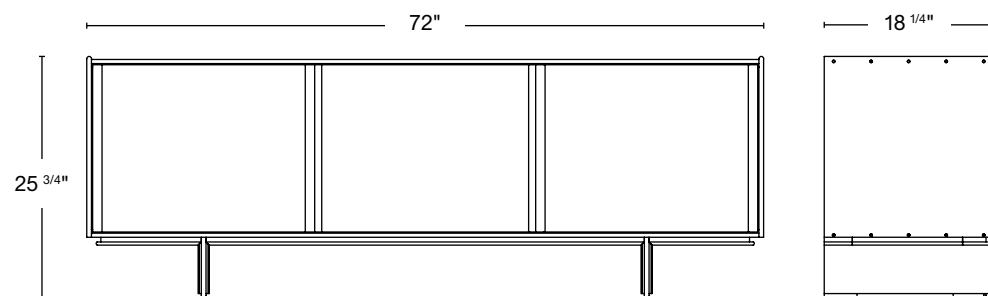
WOOD FINISH Natural walnut
Oxidized walnut
Natural white oak
Oxidized white oak
Bleached ash

DIMENSIONS 60"W x 18 1/4"D x 25 3/4"H
72"W x 18 1/4"D x 25 3/4"H
84"W x 18 1/4"D x 25 3/4"H
96"W x 18 1/4"D x 25 3/4"H

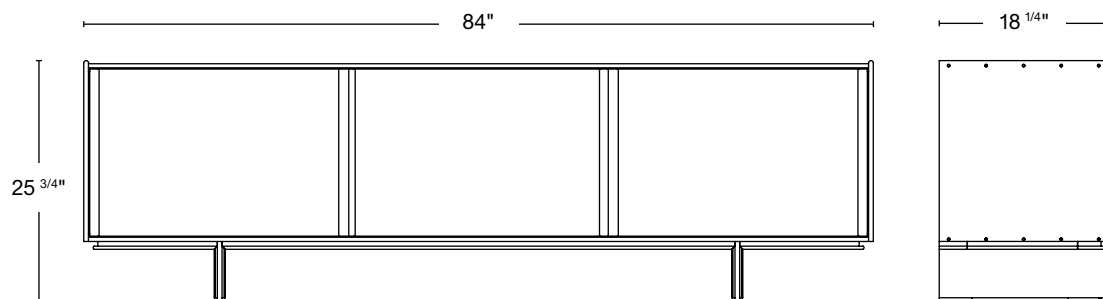




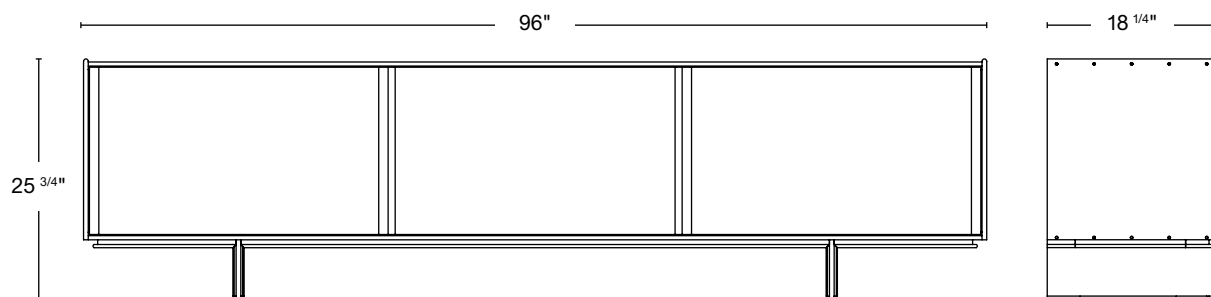
DIMENSIONS 60"W x 18 1/4"D x 25 3/4"H
 ADJUSTABLE SHELF 2



DIMENSIONS 72"W x 18 1/4"D x 25 3/4"H
 ADJUSTABLE SHELF 2
 DRAWER 3



DIMENSIONS 72"W x 18 1/4"D x 25 3/4"H
 ADJUSTABLE SHELF 2
 DRAWER 3



DIMENSIONS 72"W x 18 1/4"D x 25 3/4"H
 ADJUSTABLE SHELF 2
 DRAWER 3