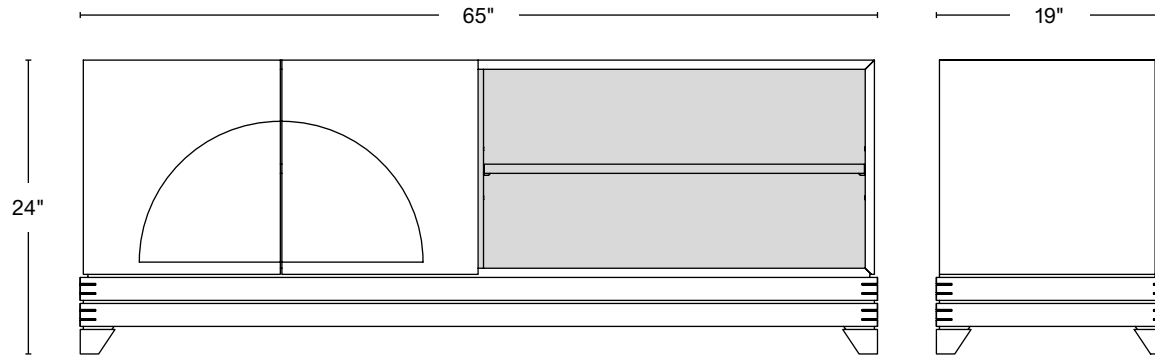


PRODUCT DESCRIPTION

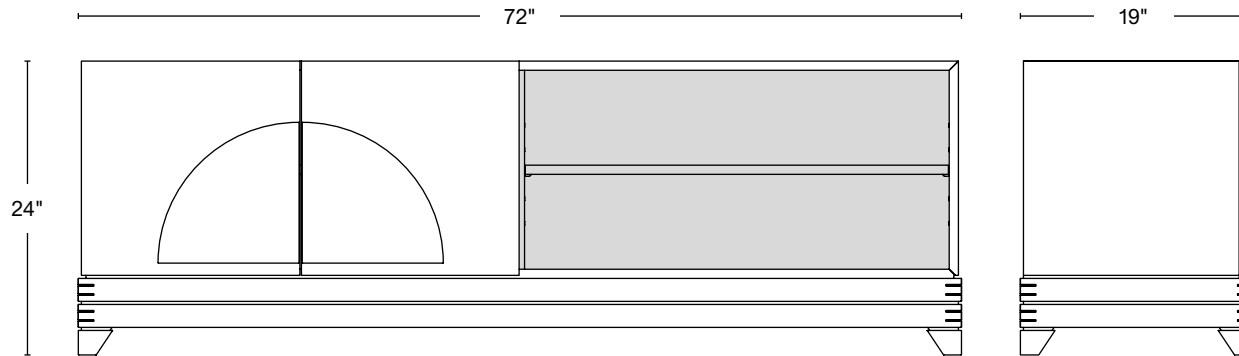
Ceramicist Michele Quan's signature hand-painted ceramics are reinterpreted as functional, yet artful cabinet pulls on a refined cabinet design. Reflectant of the celestial, half-moon shapes that appear in many of her ceramic pieces, the pulls integrate seamlessly into Stillmade's timeless furnishings.

DESIGNER	Stillmade + Michele Quan		
PRODUCTION	Cabinet made by Stillmade Ceramic hardware made by MQuan Studio		
CUSTOMIZATION	Limited customization		
LEAD TIME	16-18 weeks Subject to change based on workflow		
MATERIALS	Solid domestic timber Lacquered fiberboard Painted ceramic		
FINISHES	FRAME	CASE	CERAMIC
	Natural walnut	Dove	Black
	Oxidized walnut		Indigo
	Natural white oak		
	Oxidized white oak		
	Bleached ash		
DIMENSIONS	65"W x 19"D x 24"H		
	72"W x 19"D x 24"H		
	84"W x 19"D x 24"H		

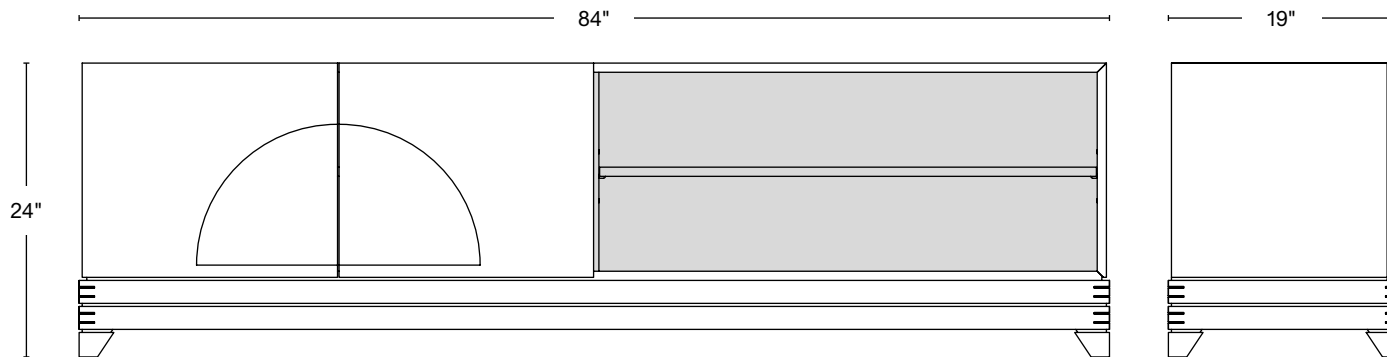




DIMENSION 65"W x 19"D x 24"H
ADJUSTABLE SHELF 2



DIMENSION 72"W x 19"D x 24"H
ADJUSTABLE SHELF 2



DIMENSION 84"W x 19"D x 24"H
ADJUSTABLE SHELF 2