

## PRODUCT DESCRIPTION

The Harvest Sideboard is designed to house one's glassware, spirits, and accoutrement. The front features hand-sawn veneered doors with integrated pulls. The top is clad in hand finished, full grain leather - a material chosen for it's natural beauty and texture only enhanced by age and wear.

DESIGNER Paul Mignogna

PRODUCTION By Stillmade in Brooklyn

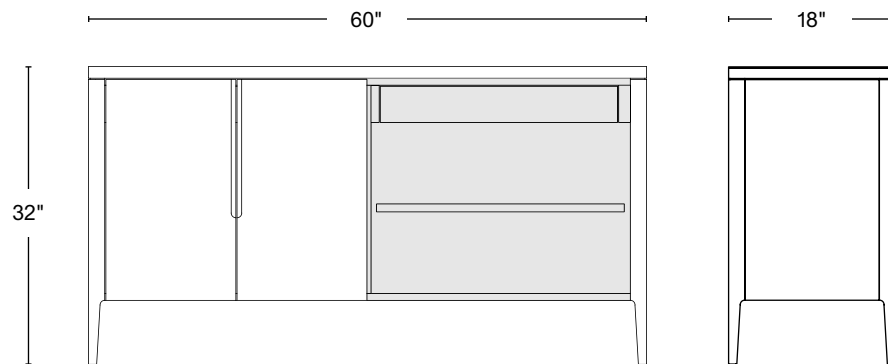
LEAD TIME 16-18 weeks  
Subject to change based on workflow

MATERIALS Solid domestic timber  
Full grain harness leather top  
Stainless steel hardware

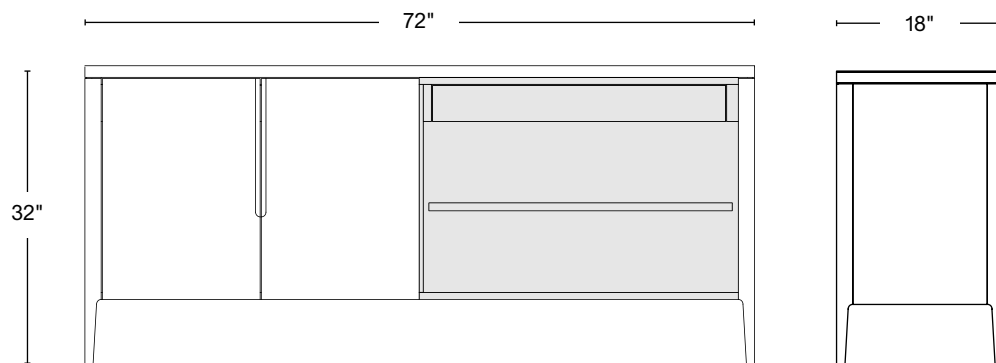
| FINISHES | FRAME              | LEATHER  |
|----------|--------------------|----------|
|          | Natural walnut     | Nude     |
|          | Oxidized walnut    | Burgundy |
|          | Natural white oak  | Brown    |
|          | Oxidized white oak | Black    |
|          | Bleached ash       |          |

DIMENSIONS 60"W x 18"D x 32"H  
72"W x 18"D x 32"H  
84"W x 18"D x 32"H

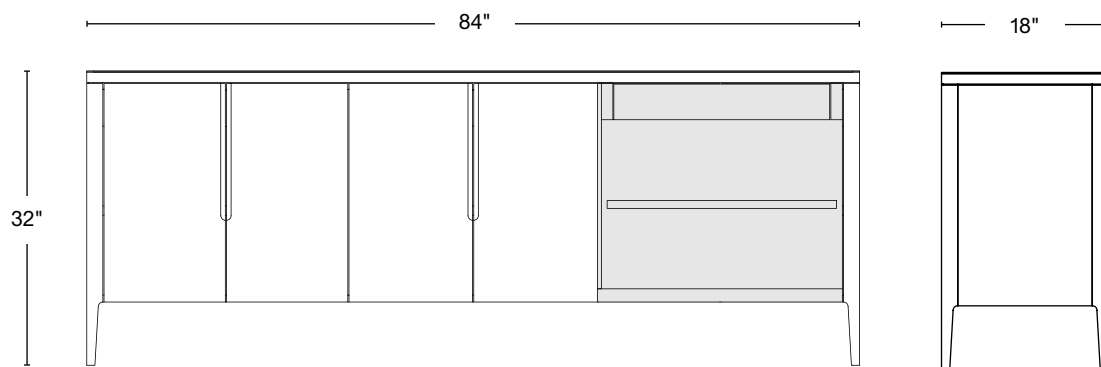




DIMENSION 60"W x 18"D x 32"H  
 ADJUSTABLE SHELF 2  
 DRAWER 2



DIMENSION 72"W x 18"D x 32"H  
 ADJUSTABLE SHELF 2  
 DRAWER 2



DIMENSION 84"W x 18"D x 32"H  
 ADJUSTABLE SHELF 3  
 DRAWER 3