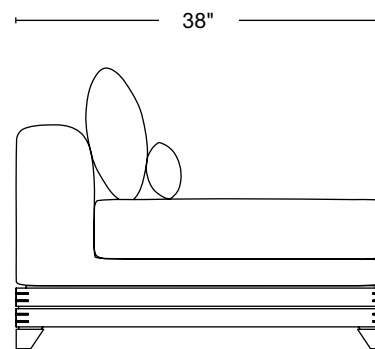
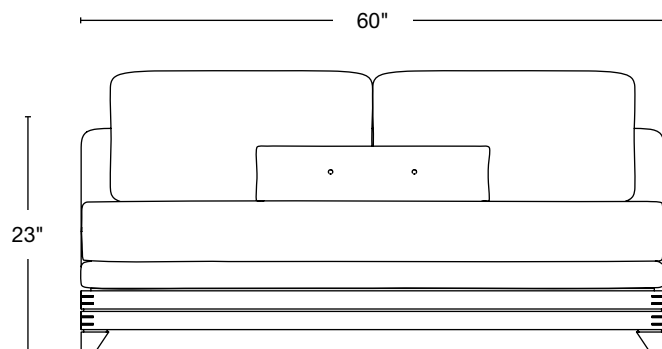


PRODUCT DESCRIPTION

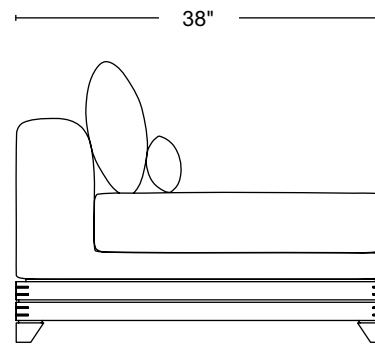
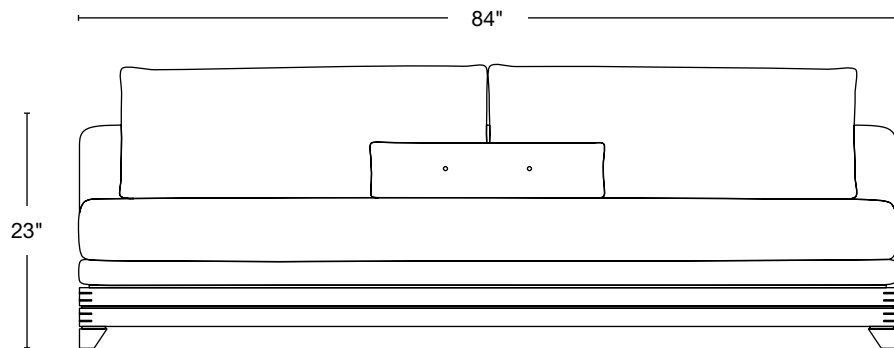
A collaboration with Mignogna Studio, Stillmade's founder and creative director Paul Mignogna's independent design practice the Clifton Sofa prioritizes comfort and lounging while maintaining a sleek, minimalist composure. Highlighting Mignogna's manufacturing expertise and design background, the Clifton Sofa shows off its exposed wooden frame and carefully placed exposed joinery. This collaboration expands Mignogna's design vocabulary as he creates new works for the Stillmade brand and beyond, pushing design boundaries with his unique understanding of what's possible.

DESIGNER	Paul Mignogna	
PRODUCTION	Frame by Stillmade in Brooklyn Upholstery by Milo Workroom in LIC	
LEAD TIME	16-18 weeks Subject to change based on workflow	
MATERIALS	Solid domestic timber Baltic birch plywood Fabric upholstery	
FINISHES	WOOD	FABRIC
	Natural walnut	COM
	Oxidized walnut	
	Natural white oak	
	Oxidized white oak	
	Bleached ash	
DIMENSIONS	60"W x 38"D x 23"H	
	84"W x 38"D x 23"H	
	96"W x 38"D x 23"H	

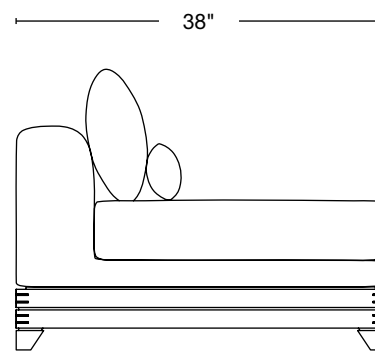
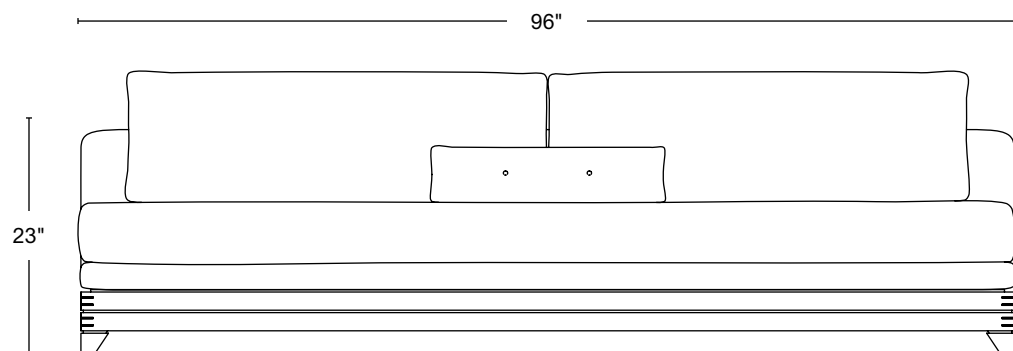




DIMENSION 60"W x 38"D x 23"H
 SEAT WIDTH 60"
 SEAT LENGTH 30"
 SEAT HEIGHT 15 1/2"



DIMENSION 84"W x 38"D x 23"H
 SEAT WIDTH 84"
 SEAT LENGTH 30"
 SEAT HEIGHT 15 1/2"



DIMENSION 96"W x 38"D x 23"H
 SEAT WIDTH 96"
 SEAT LENGTH 30"
 SEAT HEIGHT 15 1/2"