

PRODUCT DESCRIPTION

Imagined by Pat Kim, a celebrated New York-based industrial designer and artist, the Kim Coffee Table & Kim Side Table bring a more playful and sculptural approach to Stillmade's design process. The final pieces feature organically shaped bases finished in a hand-troweled lime-based plaster. Piercing through the bases are sculpted solid wood arms that hold up each circular table top.

DESIGNER Pat Kim

PRODUCTION By Stillmade in Brooklyn

CUSTOMIZATION Limited customization

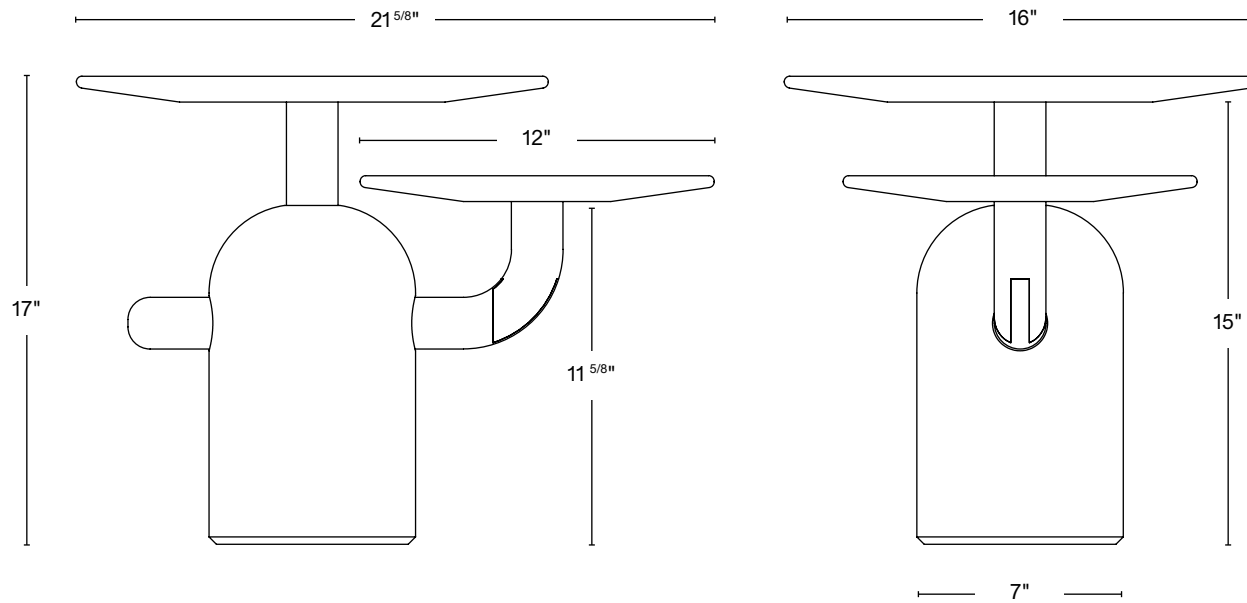
LEAD TIME 16-18 weeks
Subject to change based on workflow

MATERIALS Solid domestic timber
Bonded marble + lime plaster

WOOD FINISH Natural walnut
Oxidized walnut
Natural white oak
Oxidized white oak
Bleached ash

DIMENSION 21 ⁵/₈"W x 16"L x 17"H





DIMENSION	21 5/8"W x 16"D x 17"H
BIG TOP DIAMETER	16"
SMALL TOP DIAMETER	14"