

PRODUCT DESCRIPTION

Bold enough to stand alone, but delicate enough to nest comfortably as a pair, the Tripod Side Table pairs the soft edge of a round top with a trio of gently tapered wooden legs.

PRODUCTION

Produced by artisans in Brooklyn

CUSTOMIZATION

Limited customization

LEAD TIME

12-16 weeks

Subject to change based on workflow

MATERIALS

Solid domestic timber

Stainless steel screws

WOOD FINISH

Natural walnut

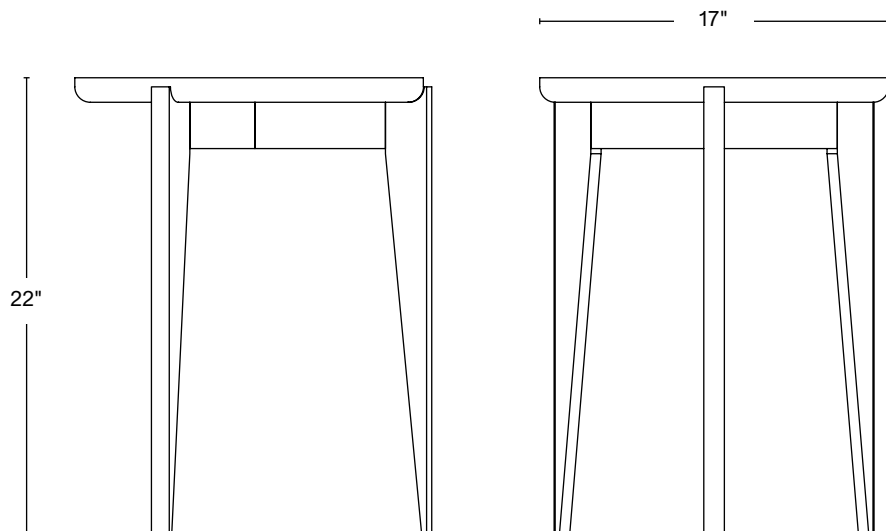
Oxidized walnut

Natural white oak

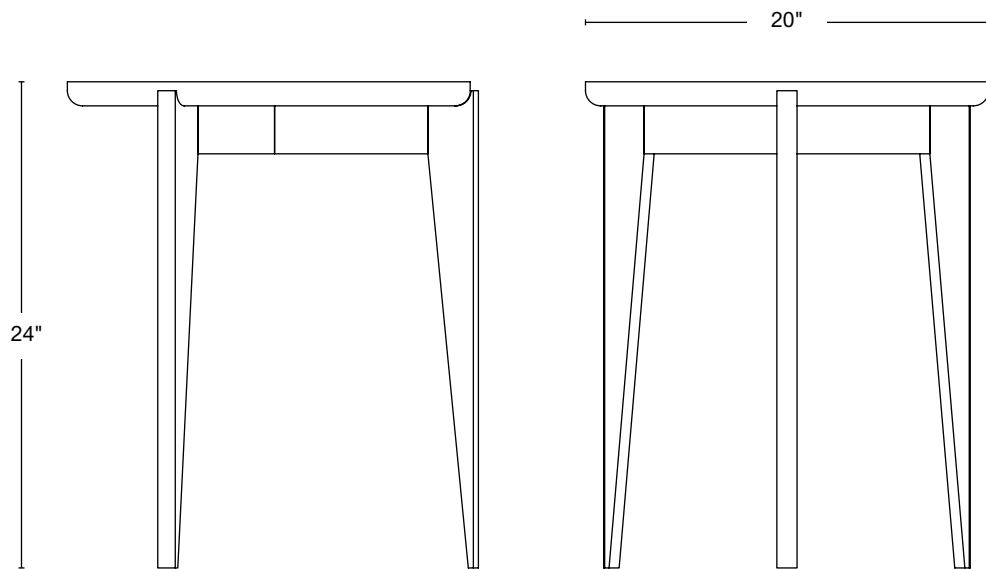
Oxidized white oak

Bleached ash





DIMENSIONS 17"Ø x 22"H
TOP THICKNESS 1 1/4"
FLOOR TO BOTTOM OF TOP 20 3/4"



DIMENSIONS 20"Ø x 24"H
TOP THICKNESS 1 1/4"
FLOOR TO BOTTOM OF TOP 22 3/4"