

### PRODUCT DESCRIPTION

Bold enough to stand alone, but delicate enough to nest comfortably as a pair, the Tripod Side Table pairs the soft edge of a round top with a trio of gently tapered wooden legs.

DESIGNER Paul Mignogna

PRODUCTION By Stillmade in Brooklyn

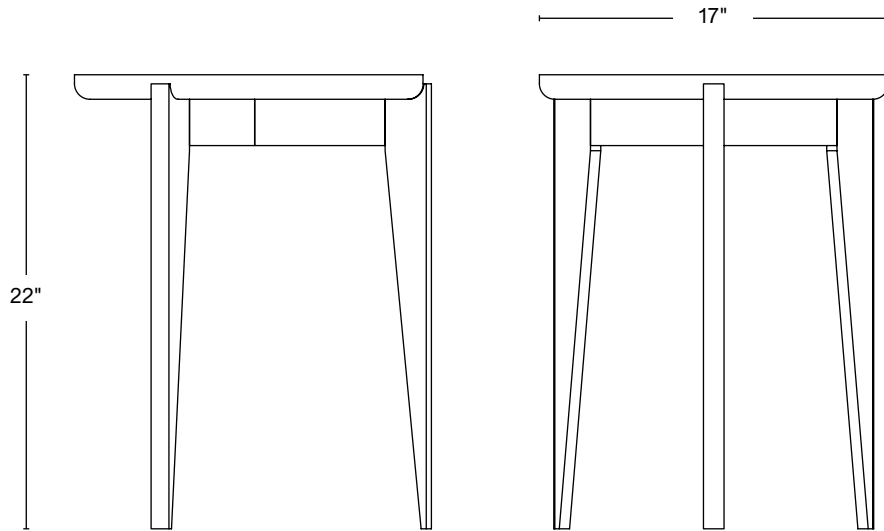
LEAD TIME 16-18 weeks  
Subject to change based on workflow

MATERIALS Solid domestic timber  
Honed Navona travertine

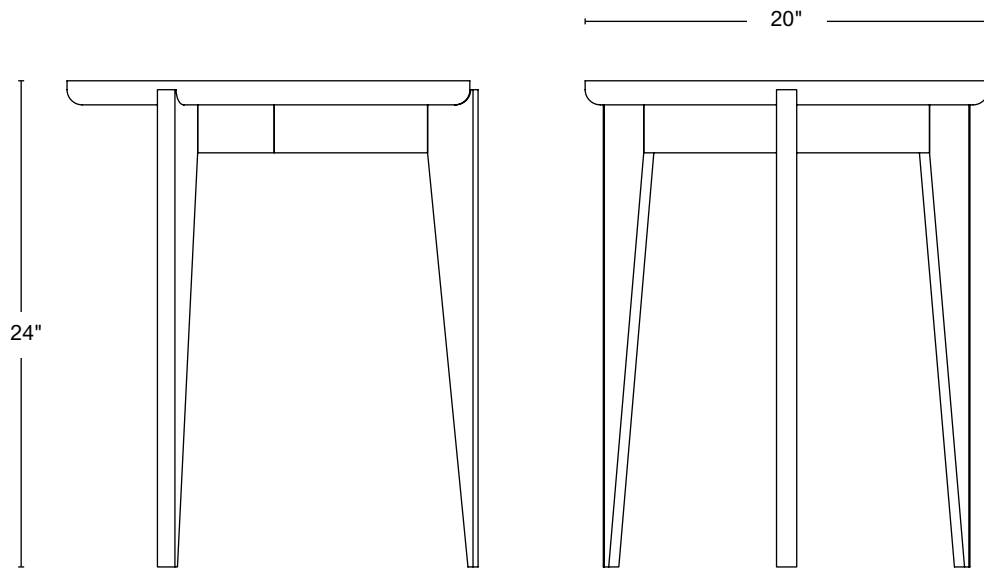
WOOD FINISH Natural white oak

DIMENSIONS 17"Ø x 22"H  
20"Ø x 24"H





DIMENSIONS 17"Ø x 22"H  
TOP THICKNESS 1 1/4"  
FLOOR TO BOTTOM OF STONE 20 3/4"



DIMENSIONS 20"Ø x 24"H  
TOP THICKNESS 1 1/4"  
FLOOR TO BOTTOM OF STONE 22 3/4"