

## PRODUCT DESCRIPTION

The Rita Sofa is constructed with a solid wood frame and hand stitched tufted cushions. Fabric upholstery is customer's own material.

DESIGNER Paul Mignogna

PRODUCTION Frame by Stillmade in Brooklyn  
Upholstery by Milo Workroom in LIC

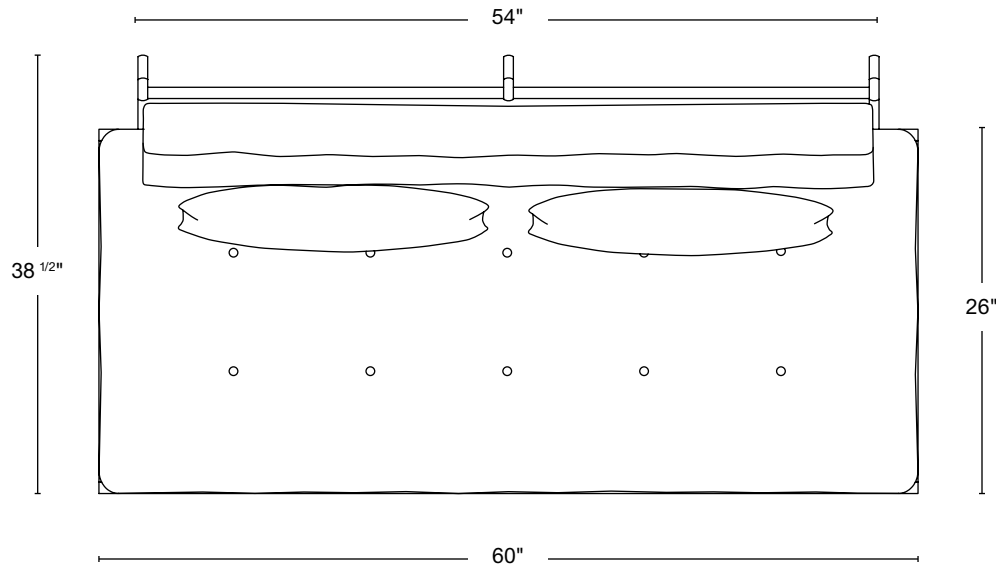
LEAD TIME 16-18 weeks  
Subject to change based on workflow

MATERIALS Solid domestic timber  
Baltic birch plywood  
Fabric upholstery

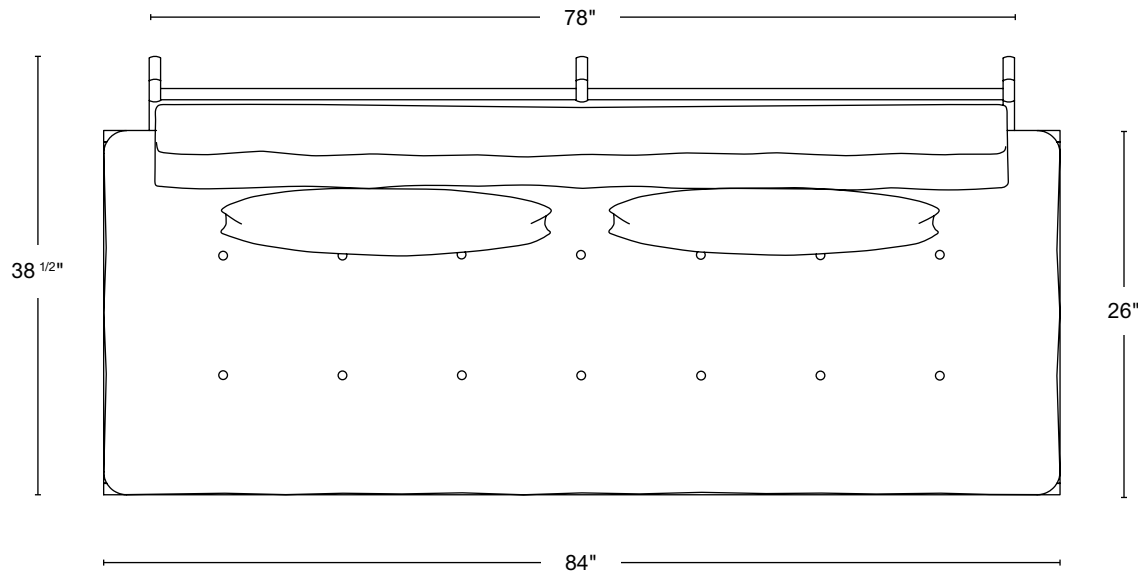
FINISHES	WOOD	FABRIC
	Natural walnut	COM
	Oxidized walnut	
	Natural white oak	
	Oxidized white oak	
	Bleached ash	

DIMENSIONS 60"W x 38 1/2"D x 28"H  
84"W x 38 1/2"D x 28"H





DIMENSION	60"W x 38 1/2"D x 28"H
SEAT DEPTH	26"
SEAT HEIGHT	16"
FABRIC YARDAGE	7



DIMENSION	84"W x 38 1/2"D x 28"H
SEAT DEPTH	26"
SEAT HEIGHT	16"
FABRIC YARDAGE	9