

PRODUCT DESCRIPTION

Solid wood frame. Hand stitched tufted cushions. Fabric COM

PRODUCTION Produced by artisans in Brooklyn

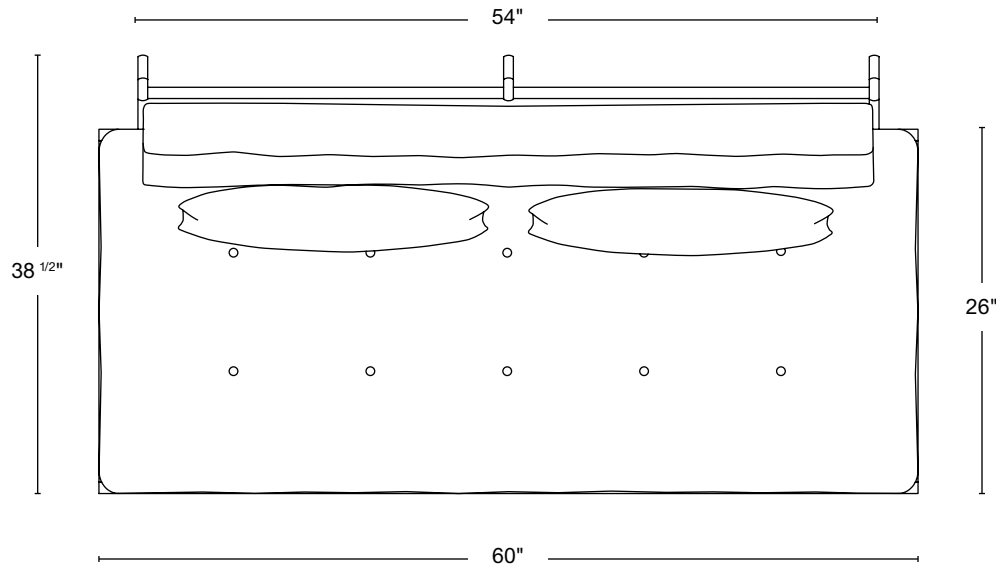
CUSTOMIZATION Limited customization

LEAD TIME 12-16 weeks
Subject to change based on workflow

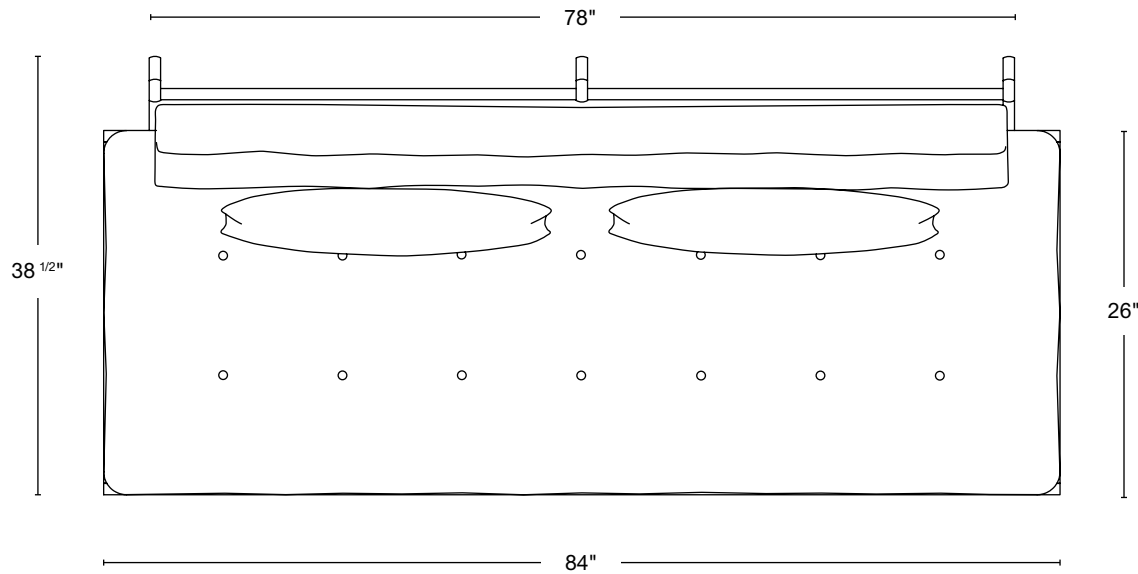
MATERIALS Solid domestic timber
Fabric (COM) upholstery

FINISH Natural walnut
Oxidized walnut
Natural white oak
Oxidized white oak
Bleached ash





DIMENSIONS	60"W x 38 1/2"D x 28"H
SEAT DEPTH	26"
SEAT HEIGHT	16"
FABRIC YARDAGE	7



DIMENSIONS	84"W x 38 1/2"D x 28"H
SEAT DEPTH	26"
SEAT HEIGHT	16"
FABRIC YARDAGE	9