

### PRODUCT DESCRIPTION

An integral part of the Profile Series. Solid wood case construction with hand-sawn veneered drawer fronts

**PRODUCTION** Produced by artisans in Brooklyn

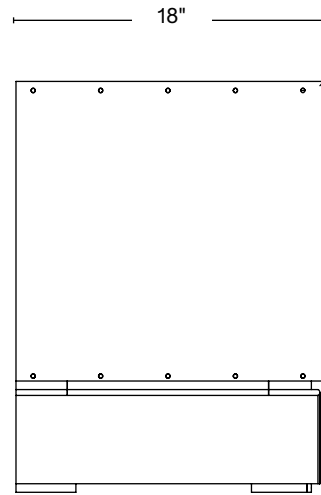
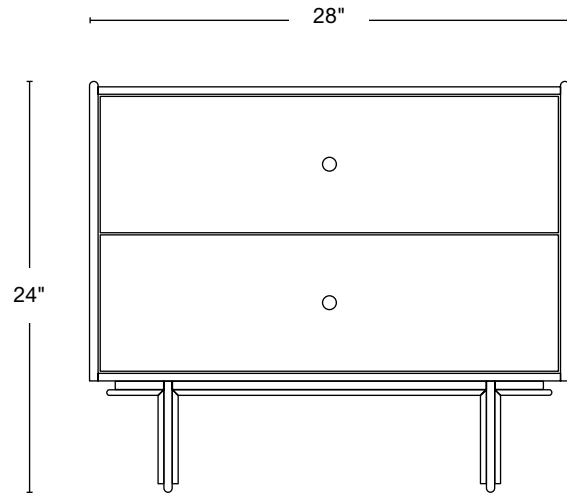
**CUSTOMIZATION** Limited customization

**LEAD TIME** 12-16 weeks  
Subject to change based on workflow

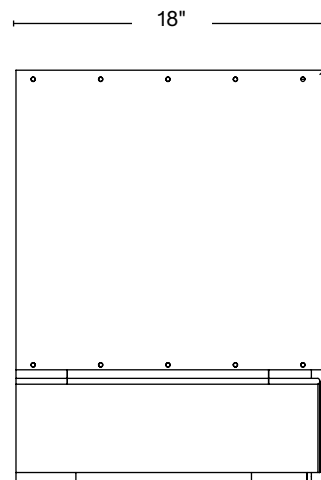
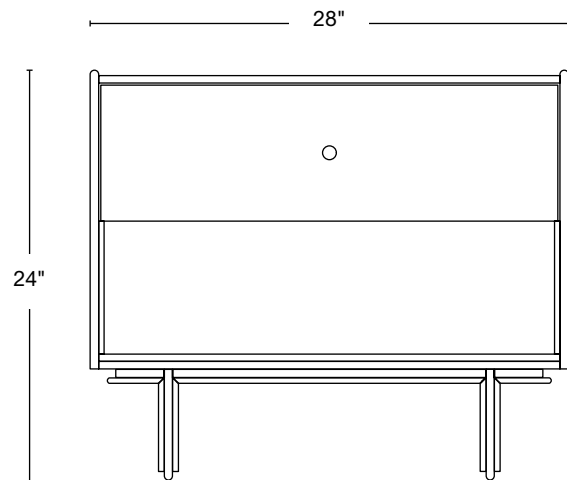
**MATERIALS** Solid domestic timber  
hand turned patinated brass pulls

**WOOD FINISH** Natural walnut  
Oxidized walnut  
Natural white oak  
Oxidized white oak  
Bleached ash





DIMENSIONS 28"W x 18"D x 24"H  
DRAWER NUMBER 2



DIMENSIONS 28"W x 18"D x 24"H  
DRAWER NUMBER 1