

PRODUCT DESCRIPTION

An asymmetrical pedestal base built with hand selected timber of exceptional grade by artisan builders in our Brooklyn based woodshop.

PRODUCTION

Produced by artisans in Brooklyn

CUSTOMIZATION

Limited customization

LEAD TIME

12-16 weeks
Subject to change based on workflow

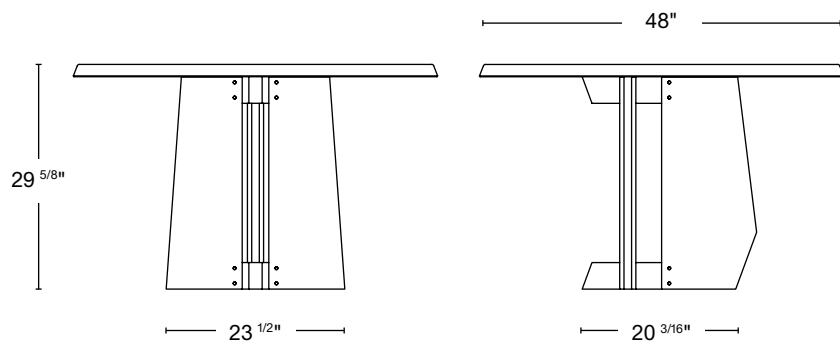
MATERIALS

Solid domestic timber
Stainless steel brackets and screws

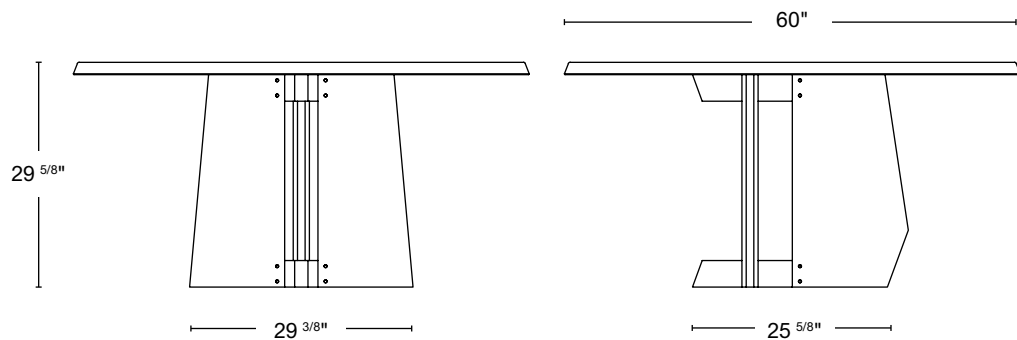
WOOD FINISH

Natural walnut
Oxidized walnut
Natural white oak
Oxidized white oak
Bleached ash

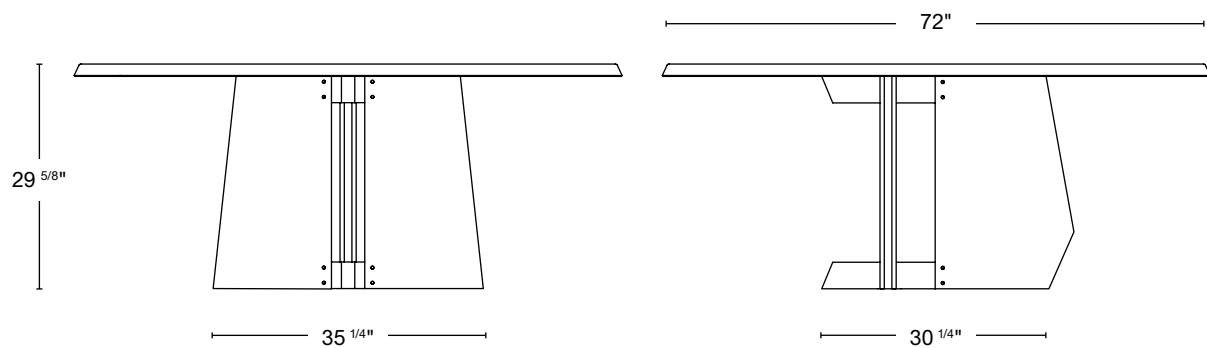




DIMENSIONS 48"Ø x 29 5/8"H
 TOP THICKNESS 1 5/8"
 CHAIR CLEARANCE 28"
 SEATS 4



DIMENSIONS 60"Ø x 29 5/8"H
 TOP THICKNESS 1 5/8"
 CHAIR CLEARANCE 28"
 SEATS 8



DIMENSIONS 72"Ø x 29 5/8"H
 TOP THICKNESS 1 5/8"
 CHAIR CLEARANCE 28"
 SEATS 10